

User Instructions

Compact Easy Polyurethane Perching Stools

M53345 – Compact Easy with Armrests & Backrest
M53333 – Compact Easy with Armrests

Maximum User Weight:



General Safety Warning

Please ensure these instructions are fully read and understood before installation/ use. Retain these instructions in a safe place for future reference.

Intended Use

The Compact Easy Perching stool is intended to provide a comfortable, stable, seat for users who are unable to stand for long periods. The seat slopes forward to allow the user to achieve a relaxed "perching" position when sitting and also to assist the user in rising. The stool may be used in the shower, bathroom or kitchen

Specifications:

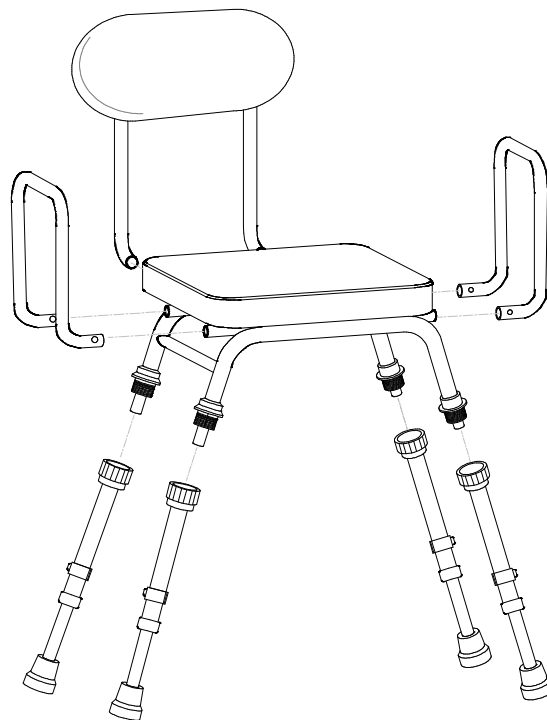
Powder coated Steel frame
Polyurethane seat and Backrest

Dimensions:

Seat height Adjustable: 535-685mm (21-27")
Seat width: 440mm (17¹/₄")
Seat depth: 360mm (14¹/₄")
Width between arms: 450mm (17³/₄")

Unpacking

Check all parts carefully before assembling the product.
Do not assemble if any of the parts are damaged.
Do not assemble if any of the parts in the Contents list are missing.



CONTENTS LIST

Item	Description	Qty.
1	Seat/Frame	1
2	Backrest (M53345 Model Only)	1
3	Left Hand Armrest	1
4	Right Hand Armrest	1
5	Leg Assembly (Comprising, Leg, E-clip, Leg extension & Ferrule)	4
6	End Cap	6

Fitting Instructions

Note: Tools are not required to assemble this product

1 - Take the leg assembly and locate it into the seat using the groove on the seat tube for alignment. (See diagram 2)

2 - When the leg is in position screw the plastic hand nut, on the leg, to the seat until it is hand tight, take care to align the plastic mouldings correctly before screwing tight.

3 - Repeat for all four legs.

Fitting Instructions – Continued

4 - With the stool in an upright position fix the armrests to the product. This is done by pressing the spring clips flat to the tube, to allow the tube to enter the seat tube. Keep pushing the armrest tube into the seat until both clips “Click” into position.

Note: There is a left hand and right hand arm rest, when assembled they should align to the slope of the seat (see diagram 3)

5 – To fix the Backrest (M53345 only) use the same method as described for the armrests. The product is now fully assembled.

Note: If required the product can be used without armrests or backrest. If this configuration is required, the ends of the tube should be sealed with the end caps supplied, to prevent water ingress.

Height Adjustment

To adjust the stool to the desired height, firstly remove the plastic E clips connecting the stools' legs and leg extensions. Slide the leg extensions to the required position ensuring that all legs are equal in height. Replace the plastic clips ensuring that each clip is fully connected.

Using the Perching Stool

Ensure the stool is placed on a level, even surface. The stool can be used in a shower, bathroom or kitchen.

Safety Precautions

- Do not exceed the maximum user weight limit.
- Inspect at regular intervals for wear and damage.
- Check seat and backrest for damage or tearing.
- Do not use if rubber feet are damaged.
- Periodically check the legs for excess movement
- Inspect regularly to ensure Hand Nuts on all legs are fully tightened

Cleaning Instructions

Clean regularly, use a general purpose, neutral detergent and warm water. Do not use an abrasive detergent, cleaner or cloth to clean or dry this product.

To disinfect, wipe with a mild chloride disinfectant (solution of 1000 parts per million).

DIAGRAM - 2

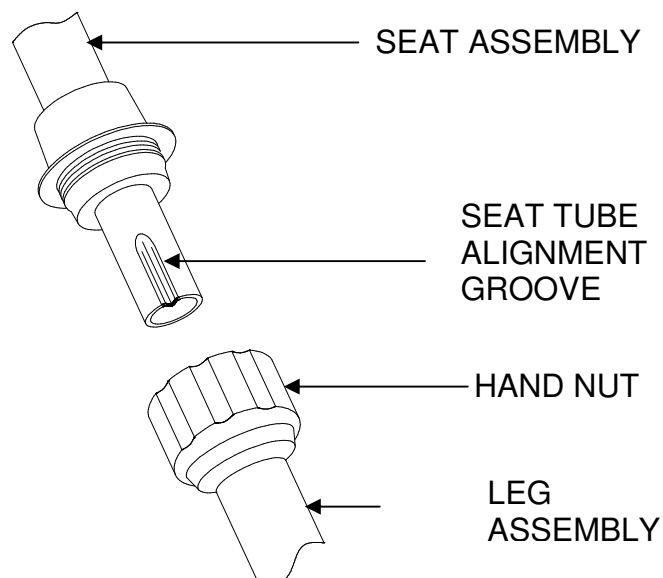
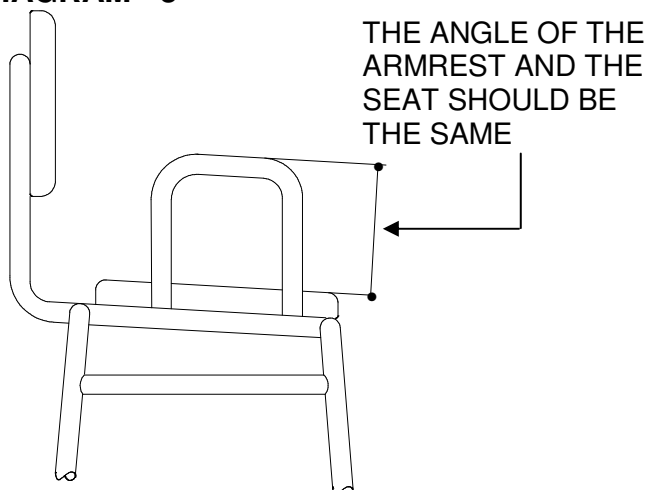


DIAGRAM - 3



Manufactured for
Nottingham Rehab Supplies
Clinitron House, Excelsior Road,
Ashby Park, Ashby de la Zouch,
Leicestershire, LE65 1JG
United Kingdom

Tel: 0845 120 4522
Int'l: +44 (0) 1530 418378
Fax: 0845 121 8112
Email: customerservice@nrs-uk.co.uk

This product is from a range of over 3000 daily living aids available from Nottingham Rehab Supplies. To view the full range visit www.nrs-uk.co.uk or request a catalogue from the above number.

www.nrs-uk.co.uk

